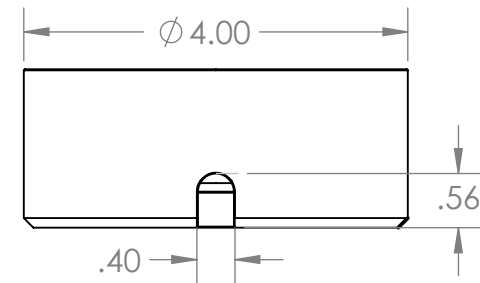
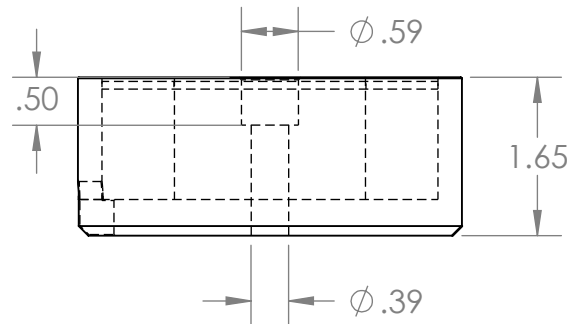


Isometric View

18" Long Leads  
18 Ga. Type 1015 UL

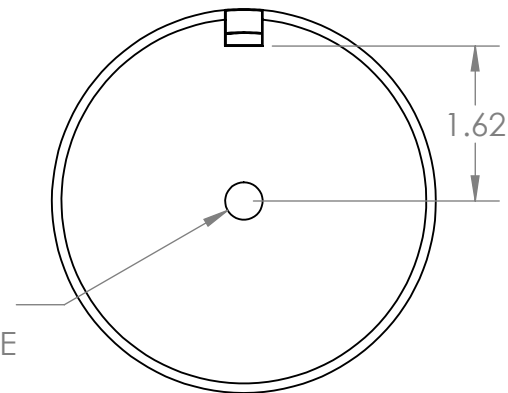


**Electrical Specifications**

- Voltage:** 24 VDC
- Duty Cycle:** Continuous
- Resistance:** 30.5 ohms ± 10% (@ 20c)
- Amps @ rated Volts:** 0.83
- Watts @ rated Volts:** 20.0
- Holding:** 800 lbs (1/4" Thick 1215 CRS @ 20c)
- Operating Temp:** -40c to 60c (range)

**Additional Components**

- Screw:** 3/8-16 x 1 3/4" long (Hex Socket Head Cap) w/Nylok
- Spring:** N/A
- Spiral Pin:** N/A
- Potting:** United Resin Corp. (El-cast Black)
- Finish:** Housing - Zinc or Electroless Nickel Plating (0.0002-0.0003")



∅ .39 THRU ALL  
 □ ∅ .59 ▽ .50  
 ✓ ∅ .65 X 90°, NEAR SIDE

**PROPRIETARY AND CONFIDENTIAL**  
 THE INFORMATION CONTAINED IN THIS DRAWING IS THE SOLE PROPERTY OF APW COMPANY. ANY REPRODUCTION IN PART OR AS A WHOLE WITHOUT THE WRITTEN PERMISSION OF APW COMPANY IS PROHIBITED.

		UNLESS OTHERWISE SPECIFIED:		NAME	DATE
		DIMENSIONS ARE IN INCHES	DRAWN	K.H.	06.17.11
		TOLERANCES:	CHECKED	J.K.	06.17.11
		FRACTIONAL ± .015	ENG APPR.	J.K.	06.17.11
		ANGULAR: MACH ± 2 BEND ± 2	MFG APPR.	J.K.	06.17.11
		TWO PLACE DECIMAL ± .005	Q.A.		
		THREE PLACE DECIMAL ± .003	COMMENTS:		
		INTERPRET GEOMETRIC TOLERANCING PER: ANSI			
		MATERIAL			
		FINISH			
NEXT ASSY	USED ON				
APPLICATION		DO NOT SCALE DRAWING			

**APW COMPANY**

TITLE:  
P/N: EM400-24-212

SIZE	DWG. NO.	REV
<b>A</b>	<b>4838</b>	
SCALE: 1:2	WEIGHT:	SHEET 1 OF 1