

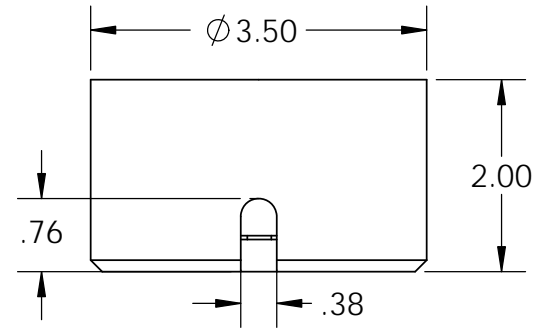
Electrical Specifications

Voltage: 24 VDC
Duty Cycle: Continuous
Resistance: ohms \pm 10% (@ 20c)
Amps @ rated Volts: 1.43
Watts @ rated Volts: 34.3
Holding: 600 lbs (1/4" Thick 1215 CRS @ 20c)
Operating Temp: -40c to 60c (range)

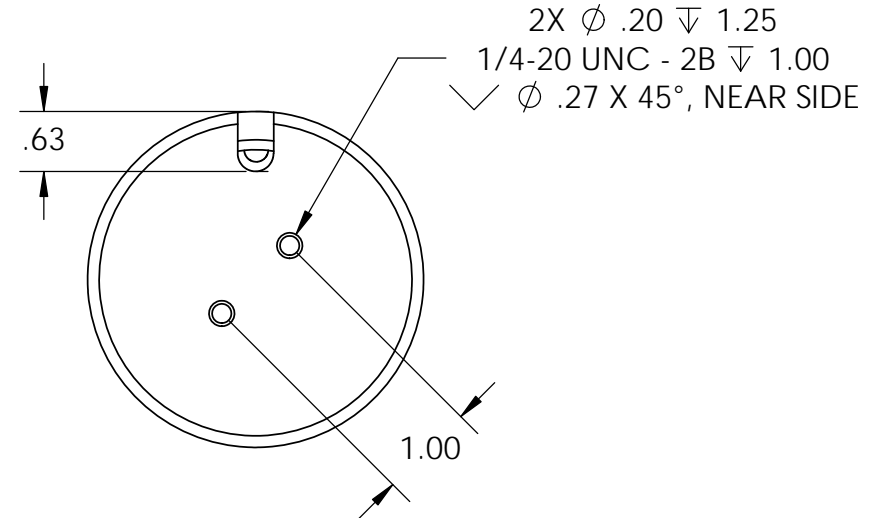
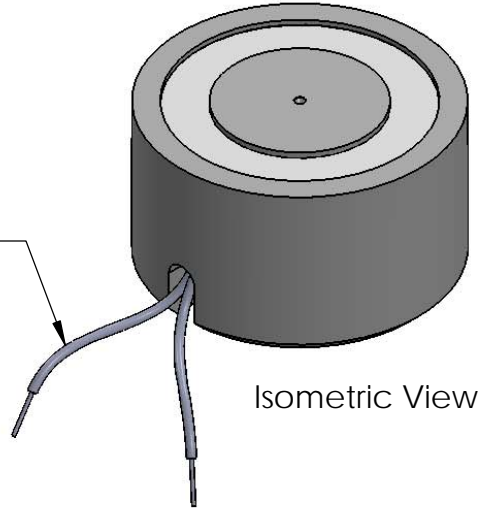
Additional Components

Screw: N/A
Spring: N/A
Spiral Pin: N/A
Potting: N/A

Finish: Housing - Zinc or Electroless Nickel Plating
 (0.0002-0.0003")



18" Long Leads
 18 Ga. Type 1015 UL



PROPRIETARY AND CONFIDENTIAL
 THE INFORMATION CONTAINED IN THIS DRAWING IS THE SOLE PROPERTY OF APW COMPANY. ANY REPRODUCTION IN PART OR AS A WHOLE WITHOUT THE WRITTEN PERMISSION OF APW COMPANY IS PROHIBITED.

		UNLESS OTHERWISE SPECIFIED:		NAME	DATE
		DIMENSIONS ARE IN INCHES	DRAWN	K.H.	08.02.11
		TOLERANCES:	CHECKED	J.K.	08.02.11
		FRACTIONAL \pm .015	ENG APPR.	J.K.	08.02.11
		ANGULAR: MACH \pm 2 BEND \pm 2	MFG APPR.	J.K.	08.02.11
		TWO PLACE DECIMAL \pm .005	Q.A.		
		THREE PLACE DECIMAL \pm .003	COMMENTS:		
		INTERPRET GEOMETRIC TOLERANCING PER: ANSI			
		MATERIAL			
NEXT ASSY	USED ON	FINISH			
APPLICATION		DO NOT SCALE DRAWING			

APW COMPANY

TITLE:

P/N: EM350-24-222

SIZE
A

DWG. NO.
6425

REV

SCALE: 1:2

WEIGHT:

SHEET 1 OF 1