

Electrical Specifications

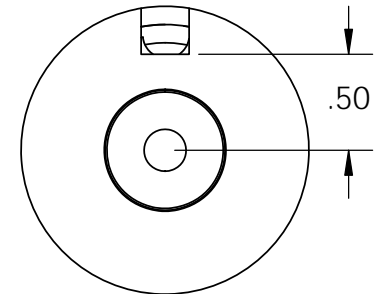
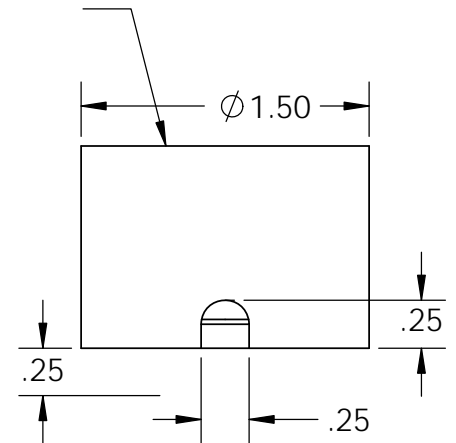
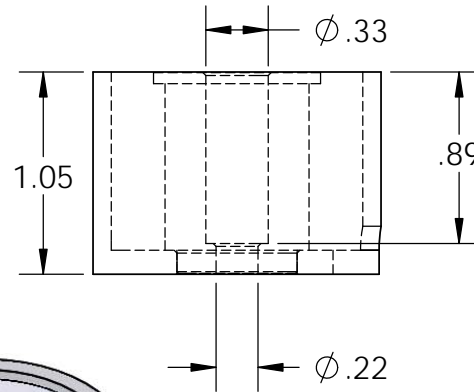
Voltage: 24 VDC
Duty Cycle: Continuous
Resistance: 96 ohms \pm 10% (@ 20c)
Amps @ rated Volts: 0.25
Watts @ rated Volts: 6.0
Holding: 88 lbs (1/4" Thick 1215 CRS @ 20c)
Operating Temp: -40c to 60c (range)

Additional Components

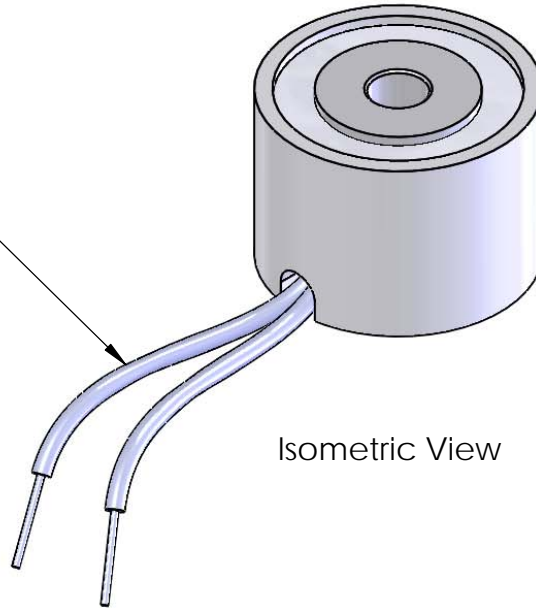
Screw: SCRM-008 10-32 x 1 1/4 Socket Head with lock
Spring: N/A
Spiral Pin: N/A
Potting: N/A

Finish: Housing - Zinc or Electroless Nickel Plating
 (0.0002-0.0003")

Center Post Recessed
 (.003-.005)
 Quick Release



18" Long Leads
 22 Ga. Type 1015 UL



Isometric View

PROPRIETARY AND CONFIDENTIAL
 THE INFORMATION CONTAINED IN THIS DRAWING IS THE SOLE PROPERTY OF APW COMPANY. ANY REPRODUCTION IN PART OR AS A WHOLE WITHOUT THE WRITTEN PERMISSION OF APW COMPANY IS PROHIBITED.

| | | | | | |
|-------------|---------|---|-----------|------|----------|
| | | UNLESS OTHERWISE SPECIFIED: | | NAME | DATE |
| | | DIMENSIONS ARE IN INCHES | DRAWN | K.H. | 07.13.11 |
| | | TOLERANCES: | CHECKED | J.K. | 07.13.11 |
| | | FRACTIONAL \pm .015 | ENG APPR. | J.K. | 07.13.11 |
| | | ANGULAR: MACH \pm 2 BEND \pm 2 | MFG APPR. | J.K. | 07.13.11 |
| | | TWO PLACE DECIMAL \pm .005 | Q.A. | | |
| | | THREE PLACE DECIMAL \pm .003 | COMMENTS: | | |
| | | INTERPRET GEOMETRIC TOLERANCING PER: ANSI | | | |
| | | MATERIAL | | | |
| NEXT ASSY | USED ON | FINISH | | | |
| APPLICATION | | DO NOT SCALE DRAWING | | | |

| | | |
|---------------------------------|-------------------------|--------------|
| APW COMPANY | | |
| TITLE: EM150-24-122-A | | |
| SIZE A | DWG. NO. 6359 | REV |
| SCALE: 1:1 | WEIGHT: | SHEET 1 OF 1 |