

Electrical Specifications

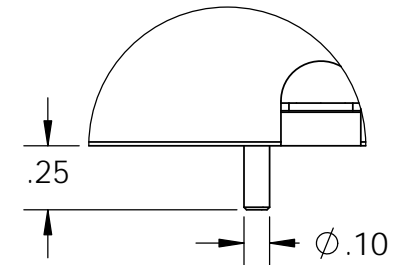
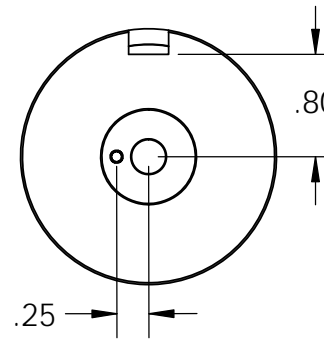
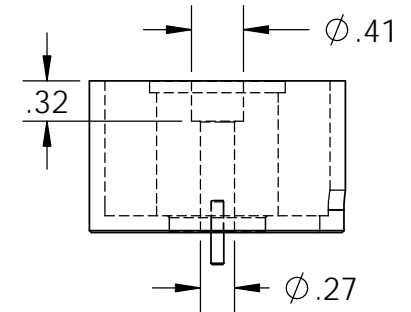
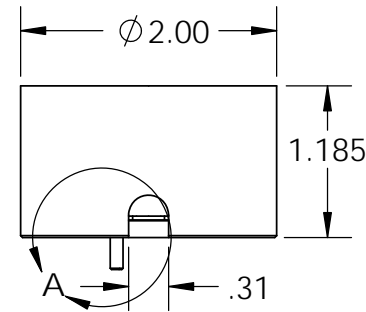
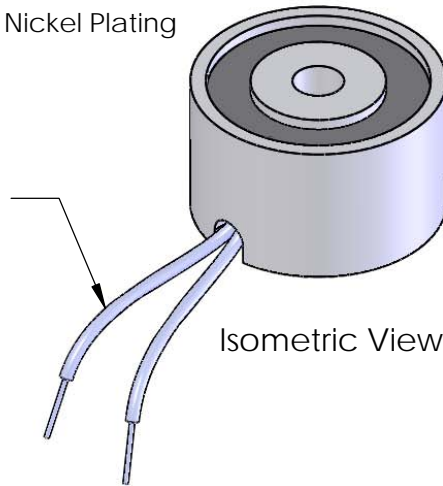
Voltage: 24 VDC
Duty Cycle: Continuous
Resistance: 82 ohms \pm 10% (@ 20c)
Amps @ rated Volts: 0.29
Watts @ rated Volts: 7.0
Holding: 140 lbs (1/4" Thick 1215 CRS @ 20c)
Operating Temp: -40c to 60c (range)

Additional Components

Screw: 1/4-20 x 1 1/4" Long (Hex Socket Head Cap) w/Nylok
Spring: N/A
Spiral Pin: N/A
Potting: United Resin Corp. (El-cast Black)

Finish: Housing - Zinc or Electroless Nickel Plating
 (0.0002-0.0003")

18" Long Leads
 18 Ga. Type 1015 UL



DETAIL A
 SCALE 2 : 1.5

PROPRIETARY AND CONFIDENTIAL
 THE INFORMATION CONTAINED IN THIS DRAWING IS THE SOLE PROPERTY OF APW COMPANY. ANY REPRODUCTION IN PART OR AS A WHOLE WITHOUT THE WRITTEN PERMISSION OF APW COMPANY IS PROHIBITED.

		UNLESS OTHERWISE SPECIFIED:	NAME	DATE
		DIMENSIONS ARE IN INCHES	DRAWN	K.H.. 07.15.11
		TOLERANCES:	CHECKED	J.K. 07.15.11
		FRACTIONAL \pm .015	ENG APPR.	J.K. 07.15.11
		ANGULAR: MACH \pm 2 BEND \pm 2	MFG APPR.	J.K. 07.15.11
		TWO PLACE DECIMAL \pm .005	Q.A.	
		THREE PLACE DECIMAL \pm .003	COMMENTS:	
		INTERPRET GEOMETRIC TOLERANCING PER: ANSI		
		MATERIAL		
NEXT ASSY	USED ON	FINISH		
APPLICATION		DO NOT SCALE DRAWING		

APW COMPANY

TITLE:

P/N: EM200-24-211

SIZE	DWG. NO.	REV
A	6301	
SCALE: 2:3	WEIGHT:	SHEET 1 OF 1