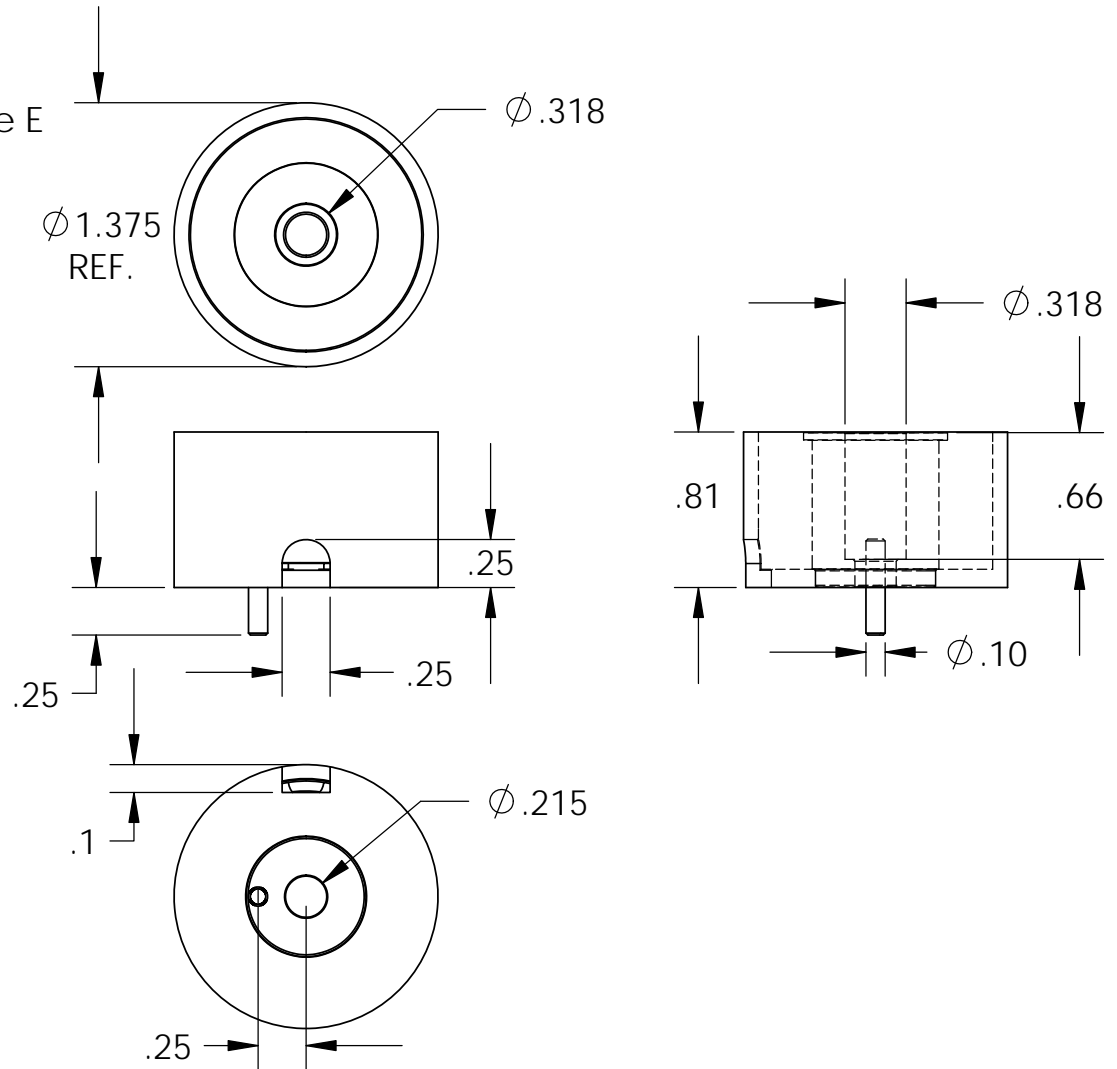


Isometric View

18" Long Leads  
22 Ga. Teflon Type E



**Electrical Specifications**

**Voltage:** 12 VDC  
**Duty Cycle:** Continuous  
**Resistance:** 42 ohms  $\pm 10\%$  (@ 20c)  
**Amps @ rated Volts:** 0.42  
**Watts @ rated Volts:** 5.0  
**Holding:** 44 lbs (1/4" Thick 1215 CRS @ 20c)  
**Operating Temp:** -40c to 60c (range)

**Additional Components**

**Screw:** 91-765-1 (#8-32 x .83" standoff)  
**Spring:** 328-SC-104  
**Spiral Pin:** N/A  
**Potting:** N/A  
**Finish:** Housing - Zinc or Electroless Nickel Plating (0.0002-0.0003")

**PROPRIETARY AND CONFIDENTIAL**  
 THE INFORMATION CONTAINED IN THIS DRAWING IS THE SOLE PROPERTY OF APW COMPANY. ANY REPRODUCTION IN PART OR AS A WHOLE WITHOUT THE WRITTEN PERMISSION OF APW COMPANY IS PROHIBITED.

		UNLESS OTHERWISE SPECIFIED:		NAME	DATE
		DIMENSIONS ARE IN INCHES	DRAWN	K.H.	07.20.11
		TOLERANCES:	CHECKED	J.K.	07.20.11
		FRACTIONAL $\pm .015$	ENG APPR.	J.K.	07.20.11
		ANGULAR: MACH $\pm 2$ BEND $\pm 2$	MFG APPR.	J.K.	07.20.11
		TWO PLACE DECIMAL $\pm .005$	Q.A.		
		THREE PLACE DECIMAL $\pm .003$	COMMENTS:		
		INTERPRET GEOMETRIC TOLERANCING PER: ANSI			
		MATERIAL			
NEXT ASSY	USED ON	FINISH			
APPLICATION		DO NOT SCALE DRAWING			

<b>APW COMPANY INC.</b>		
TITLE:		
P/N: EM137-12-221-B		
SIZE	DWG. NO.	REV
<b>A</b>	<b>6133</b>	
SCALE: 1:1	WEIGHT:	SHEET 1 OF 1