

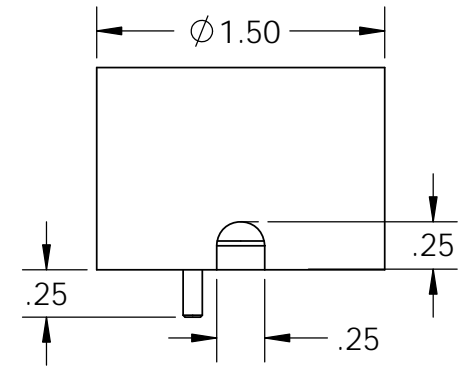
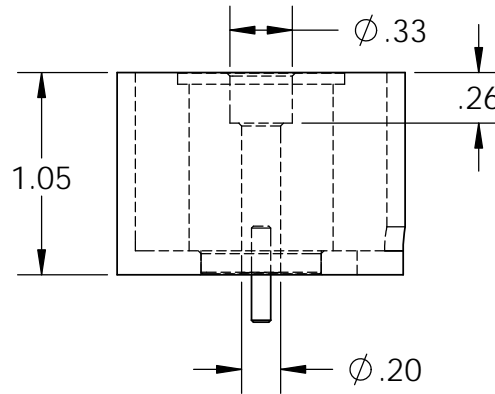
## Electrical Specifications

**Voltage:** 24 VDC  
**Duty Cycle:** Continuous  
**Resistance:** 96 ohms  $\pm$  10% (@ 20c)  
**Amps @ rated Volts:** 0.25  
**Watts @ rated Volts:** 6.0  
**Holding:** 88 lbs (1/4" Thick 1215 CRS @ 20c)  
**Operating Temp:** -40c to 60c (range)

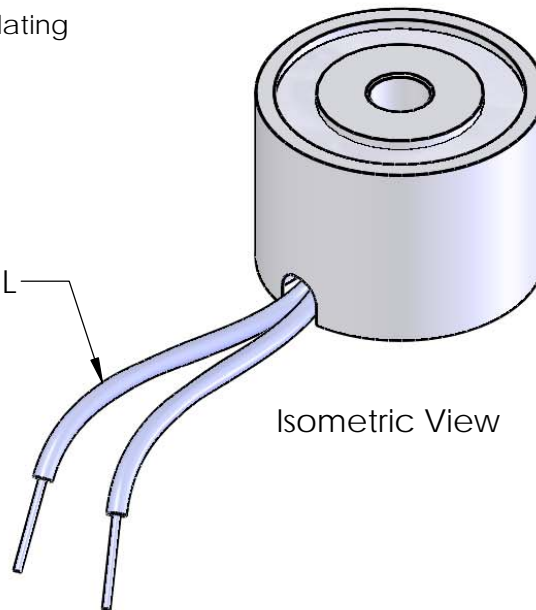
## Additional Components

**Screw:** 10-32 x 1 1/4" Long (Hex Socket Head Cap) w/Nylok  
**Spring:** N/A  
**Spiral Pin:** N/A  
**Potting:** N/A

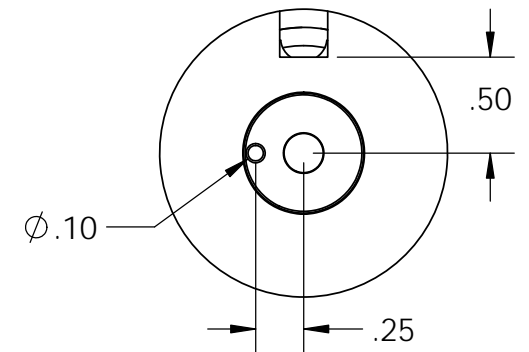
**Finish:** Housing - Zinc or Electroless Nickel Plating  
 (0.0002-0.0003")



18" Long Leads  
 22 Ga. Type 1015 UL



Isometric View



**PROPRIETARY AND CONFIDENTIAL**  
 THE INFORMATION CONTAINED IN THIS DRAWING IS THE SOLE PROPERTY OF APW COMPANY. ANY REPRODUCTION IN PART OR AS A WHOLE WITHOUT THE WRITTEN PERMISSION OF APW COMPANY IS PROHIBITED.

		UNLESS OTHERWISE SPECIFIED:		NAME	DATE	<b>APW COMPANY</b>	
		DIMENSIONS ARE IN INCHES TOLERANCES: FRACTIONAL $\pm$ .015 ANGULAR: MACH $\pm$ 2 BEND $\pm$ 2 TWO PLACE DECIMAL $\pm$ .005 THREE PLACE DECIMAL $\pm$ .003	DRAWN	K.H.	08.11.11		
		INTERPRET GEOMETRIC TOLERANCING PER: ANSI	CHECKED	J.K.	08.11.11	SIZE DWG. NO. REV <b>A</b> 5835	
		MATERIAL	ENG APPR.	J.K.	08.11.11		
NEXT ASSY	USED ON	FINISH	MFG APPR.	J.K.	08.11.11		
APPLICATION		DO NOT SCALE DRAWING	Q.A.				
			COMMENTS:				