

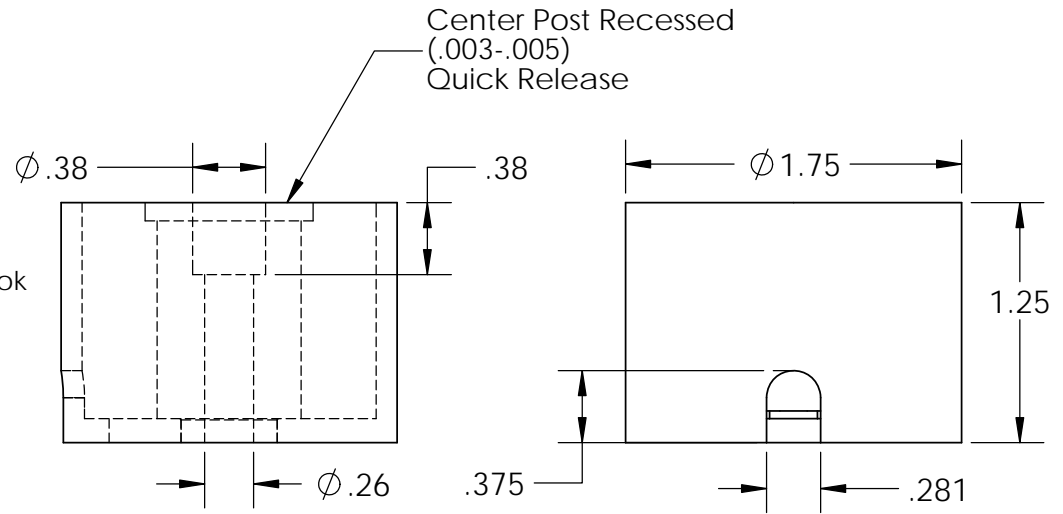
Electrical Specifications

Voltage: 24 VDC
Duty Cycle: Continuous
Resistance: 93 ohms \pm 10% (@ 20c)
Amps @ rated Volts: 0.25
Watts @ rated Volts: 6.0
Holding: 75 lbs (1/4" Thick 1215 CRS @ 20c)
Operating Temp: -40c to 60c (range)

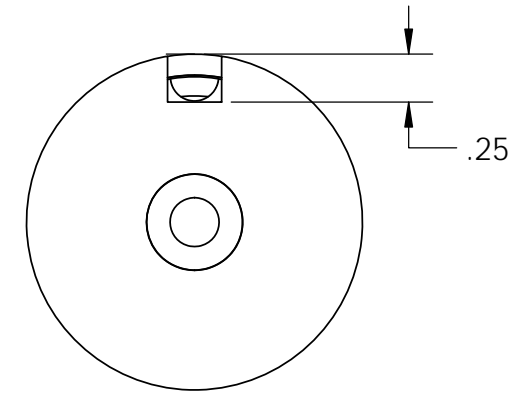
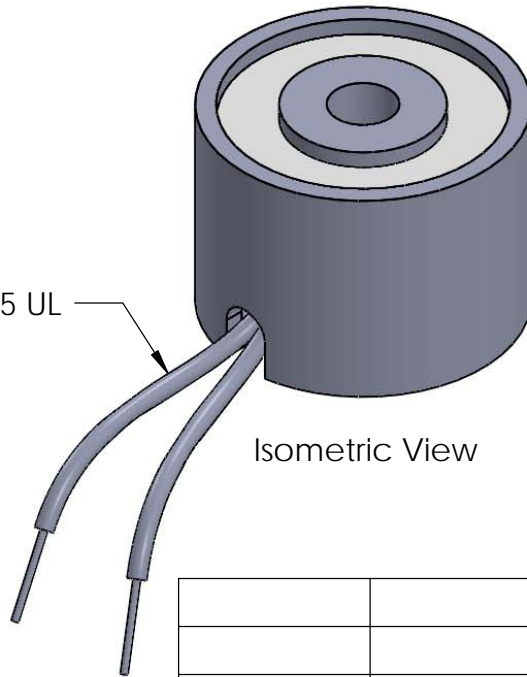
Additional Components

Screw: 1/4-20 x 1 1/4" Long (Hex Socket Head Cap) w/Nylok
Spring: N/A
Spiral Pin: N/A
Potting: N/A

Finish: Housing - Zinc or Electroless Nickel Plating (0.0002-0.0003")



18" Long Leads
18 Ga. Type 1015 UL



PROPRIETARY AND CONFIDENTIAL
THE INFORMATION CONTAINED IN THIS DRAWING IS THE SOLE PROPERTY OF APW COMPANY. ANY REPRODUCTION IN PART OR AS A WHOLE WITHOUT THE WRITTEN PERMISSION OF APW COMPANY IS PROHIBITED.

| | | UNLESS OTHERWISE SPECIFIED: | | NAME | DATE |
|-------------|---------|---|-----------|------|----------|
| | | DIMENSIONS ARE IN INCHES | DRAWN | K.H. | 06.21.11 |
| | | TOLERANCES: | CHECKED | J.K. | 06.21.11 |
| | | FRACTIONAL \pm .015 | ENG APPR. | J.K. | 06.21.11 |
| | | ANGULAR: MACH \pm 2 BEND \pm 2 | MFG APPR. | J.K. | 06.21.11 |
| | | TWO PLACE DECIMAL \pm .005 | Q.A. | | |
| | | THREE PLACE DECIMAL \pm .003 | COMMENTS: | | |
| | | INTERPRET GEOMETRIC TOLERANCING PER: ANSI | | | |
| | | MATERIAL | | | |
| NEXT ASSY | USED ON | FINISH | | | |
| APPLICATION | | DO NOT SCALE DRAWING | | | |

APW COMPANY

TITLE:

P/N: EM175-24-122

| | | |
|------------|----------|--------------|
| SIZE | DWG. NO. | REV |
| A | 5765 | |
| SCALE: 1:1 | WEIGHT: | SHEET 1 OF 1 |