

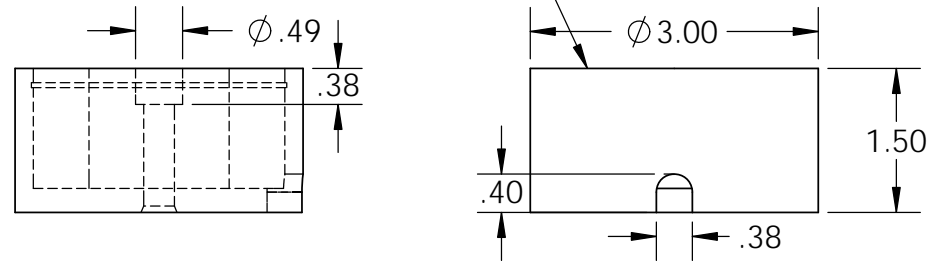
## Electrical Specifications

**Voltage:** 12 VDC  
**Duty Cycle:** Continuous  
**Resistance:** 10.5 ohms  $\pm$  10% (@ 20c)  
**Amps @ rated Volts:** 1.25  
**Watts @ rated Volts:** 15.0  
**Holding:** 300 lbs (1/4" Thick 1215 CRS @ 20c)  
**Operating Temp:** -40c to 60c (range)

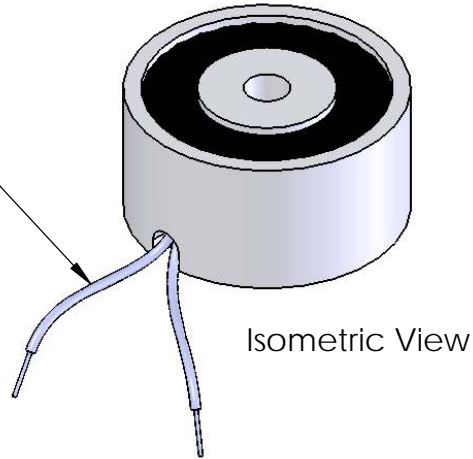
## Additional Components

**Screw:** 5/16-18 x 1 1/2" Long (Socket Head Cap Screw) w/Nylok  
**Spring:** N/A  
**Spiral Pin:** N/A  
**Potting:** United Resin Corp. (EI-cast Black)  
**Finish:** Housing - Zinc or Electroless Nickel Plating  
 (0.0002-0.0003")

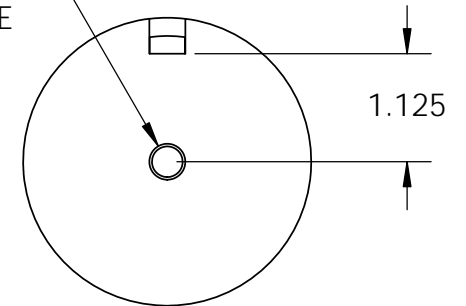
Center Post Recessed  
 (.003-.005)  
 Quick Release



18" Long Leads  
 18 Ga. Type 1015 UL



$\phi$  .32 THRU ALL  
 3/8-16 UNC - 2B  $\nabla$  1.13  
 $\checkmark$   $\phi$  .38 X 45°, NEAR SIDE



**PROPRIETARY AND CONFIDENTIAL**  
 THE INFORMATION CONTAINED IN THIS DRAWING IS THE SOLE PROPERTY OF APW COMPANY. ANY REPRODUCTION IN PART OR AS A WHOLE WITHOUT THE WRITTEN PERMISSION OF APW COMPANY IS PROHIBITED.

		UNLESS OTHERWISE SPECIFIED:	NAME	DATE	APW COMPANY	
		DIMENSIONS ARE IN INCHES	DRAWN	K.H.	07.15.11	TITLE:  P/N: EM300-12-112
		TOLERANCES: FRACTIONAL $\pm$ .015	CHECKED	J.K.	07.15.11	
		ANGULAR: MACH $\pm$ 2 BEND $\pm$ 2	ENG APPR.	J.K.	07.15.11	
		TWO PLACE DECIMAL $\pm$ .005	MFG APPR.	J.K.	07.15.11	
		THREE PLACE DECIMAL $\pm$ .003	Q.A.			SIZE DWG. NO. REV <b>A</b> 5551
		INTERPRET GEOMETRIC TOLERANCING PER: ANSI	COMMENTS:			
		MATERIAL				SCALE: 1:2 WEIGHT: SHEET 1 OF 1
		FINISH				
	NEXT ASSY	USED ON				
	APPLICATION		DO NOT SCALE DRAWING			